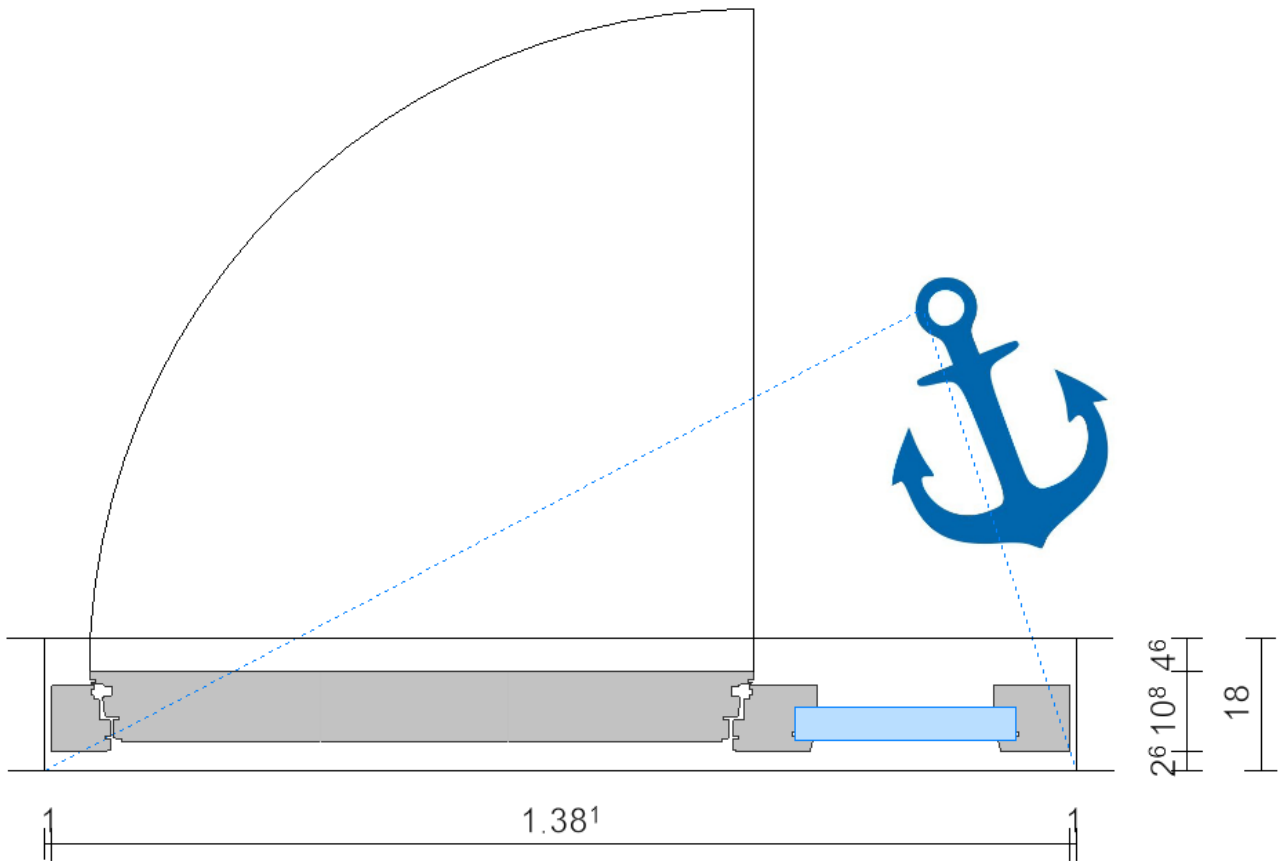


---

## Anchoring in CAD

---



## Copyright

Any reproduction of the supplied documentation or the SEMA programs or parts thereof or of the Instant Help in any form will be prosecuted. All copyrights in the SEMA software, the Instant Help and the documentations are owned by SEMA GmbH.

The rightful acquisition of the software license gives you the right to use the software / Instant Help in the same way as you may use a book. As it is impossible for more than one person to read the same copy of a book in different places simultaneously, the installation program and all the SEMA programs must not be used on more than one computer at a time. Anyone who transfers this software to DVD, hard disk or any other medium except for backup and archival purposes is liable to prosecution.

Please note that your license, including your address and license number, is registered with SEMA GmbH. Make sure that no illegal copies of your program license are made! The registered address can also be determined from these copies, so that the owner of the corresponding original can always be detected and made liable according to the license agreement.

Infringement of our copyright will be subject to civil and criminal prosecution!

© SEMA GmbH. All rights reserved.

## Limited Warranty

SEMA assumes no liability for errors and omissions in this document, the software or in the Instant Help. However, as every effort is made to provide accurate information, we would appreciate users calling our attention to any errors.

This manual is subject to changes without notice and specification of reasons. As every version of our software is reviewed and updated for your benefit, we would appreciate any ideas and suggestions from users. With constructive criticism you can help us to further improve and develop our programs and documentation.

Published by:

SEMA GmbH  
Computer Software und Hardware-Vertrieb  
Salzstraße 25  
87499 Wildpoldsried at Kempten, Germany

Microsoft, MS-DOS, Windows and Internet Explorer are registered trademarks of the Microsoft Corporation.

The Internet Explorer has been made available by kind permission of the Microsoft Corporation. Reproduction in any form or disassembling is prohibited. All rights in this software product are owned by the Microsoft Corporation.

Printed in Germany  
Item No. INSTR-CAD-ANCH-EN 07/2020

## Contents

<b>1. Why anchoring.....</b>	<b>4</b>
<b>2. Preparation .....</b>	<b>4</b>
2.1. Inserting an existing module or an own created .....	4
2.2. Ungroup .....	5
2.3. Draw a temporary wall .....	5
<b>3. Anchoring of a Two-piece door.....</b>	<b>6</b>
3.1. Example 1 .....	6
3.1.1 Group Macros before anchoring .....	6
3.1.2 Anchor CAD Group 1 .....	6
3.1.3 Anchor CAD Group 2 .....	7
3.1.4 Anchor CAD Group 3 .....	7
3.1.5 Macro can be tested by using the copy function.....	8
3.1.6 Check functionality .....	9
3.1.7 Store Macro in Work Master Data.....	9
3.2. Example 2 .....	10
3.2.1 Seperate CAD Group .....	10
3.2.2 Attach middle part again .....	10
3.2.3 Draw coverage lines.....	11
3.2.4 Group Macros .....	12
3.2.5 Anchor CAD Group 1 .....	13
3.2.6 Anchor CAD Group 2 .....	14
3.2.7 Anchor CAD Group 3 .....	14
3.2.8 Anchor CAD Group 4 .....	15

# Anchoring

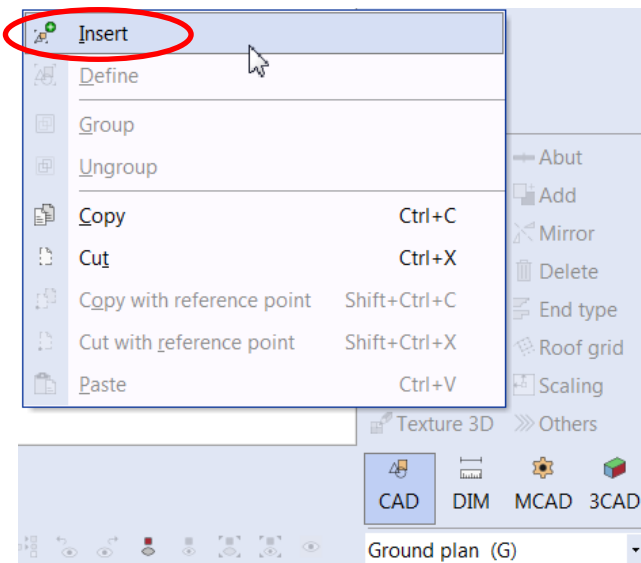
## 1. Why anchoring

- With the function anchor, you can fix modules so that if you change components (wall width/height) it reacts and adapts properly in relationship.

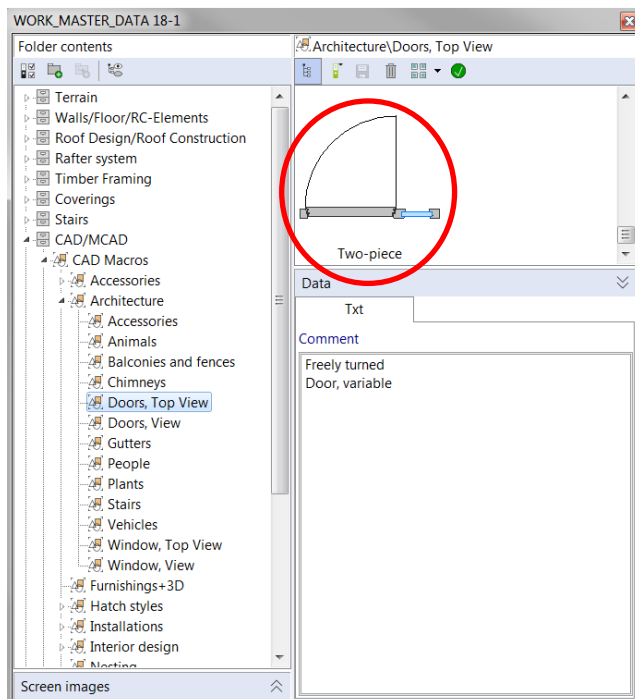
## 2. Preparation

### 2.1. Inserting an existing module or an own created

- Switch to the CAD function and Insert Macro

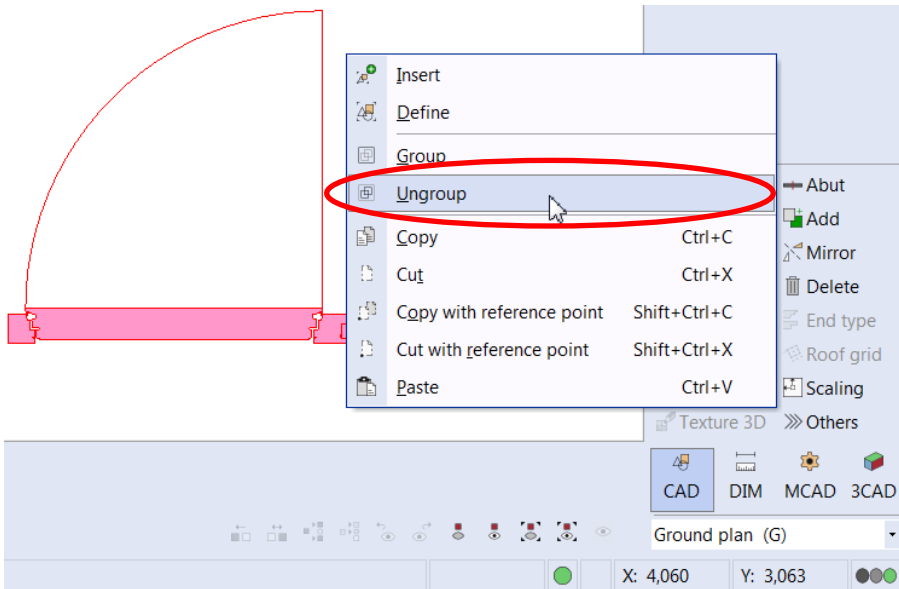


- Select the Two-piece door macro from Work Master Data



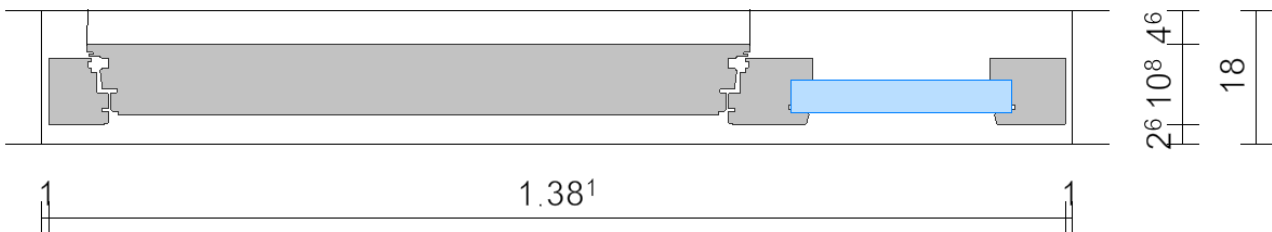
## 2.2. Ungroup

- Ungroup Macro in individual CAD groups
- Highlight Macro and ungroup it over Macro/Ungroup



## 2.3. Draw a temporary wall

- Draw a temporary wall to place the anchor points there



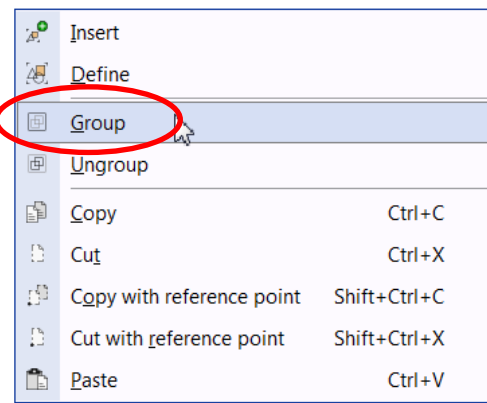
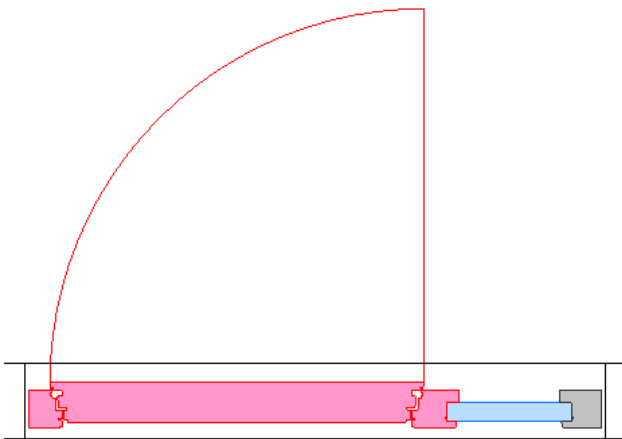
### 3. Anchoring of a Two-piece door

#### 3.1. Example 1

- In this example, you have to set the anchor points so, that if you change the macro it changes the glas width, but the opening width stays constant.

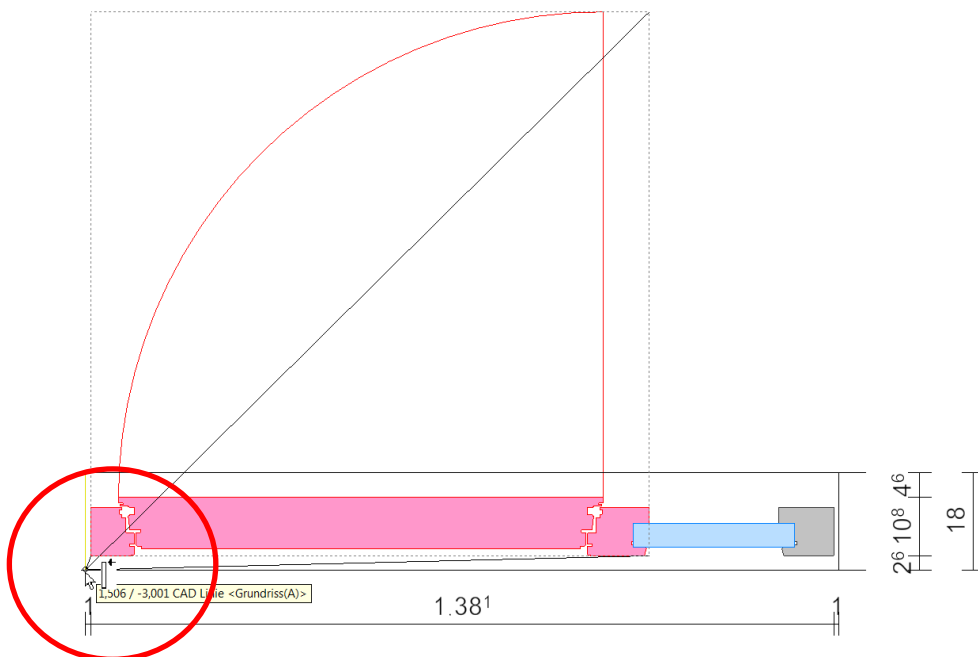
##### 3.1.1 Group Macros before anchoring

- You have to Group individual CAD elements always before anchoring (picture)



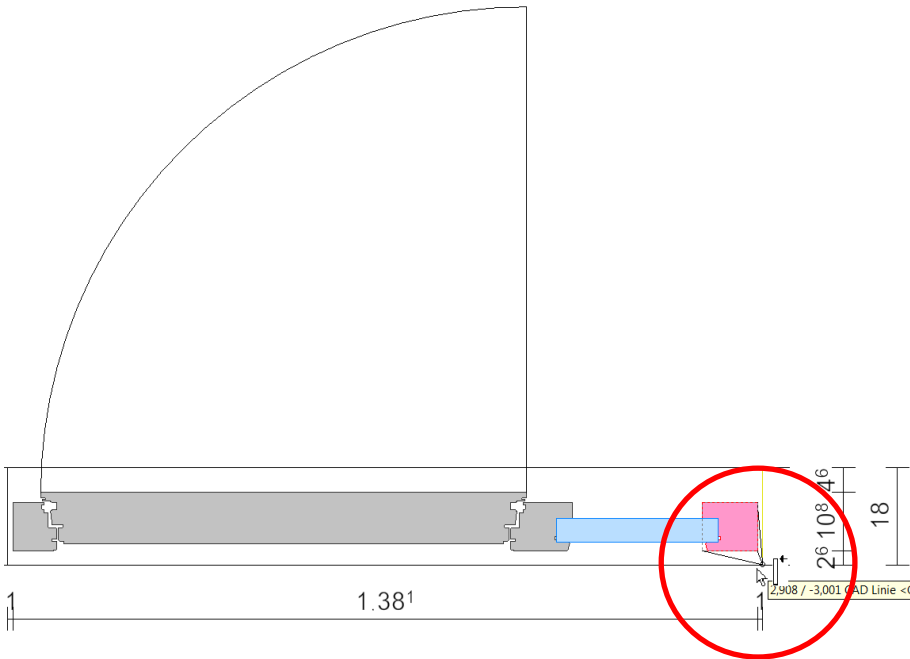
##### 3.1.2 Anchor CAD Group 1

- Highlight CAD Group and select Others/1 anchor point
- Set anchor point as shown on the picture



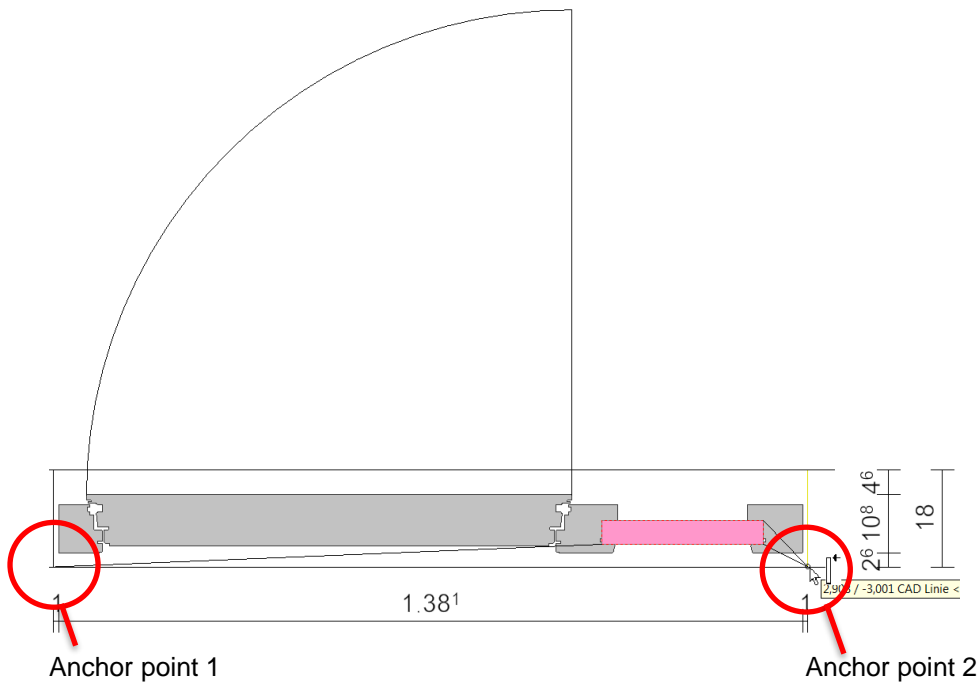
### 3.1.3 Anchor CAD Group 2

- Highlight CAD Group and select Others/1 anchor point
- Set anchor point as shown on the picture



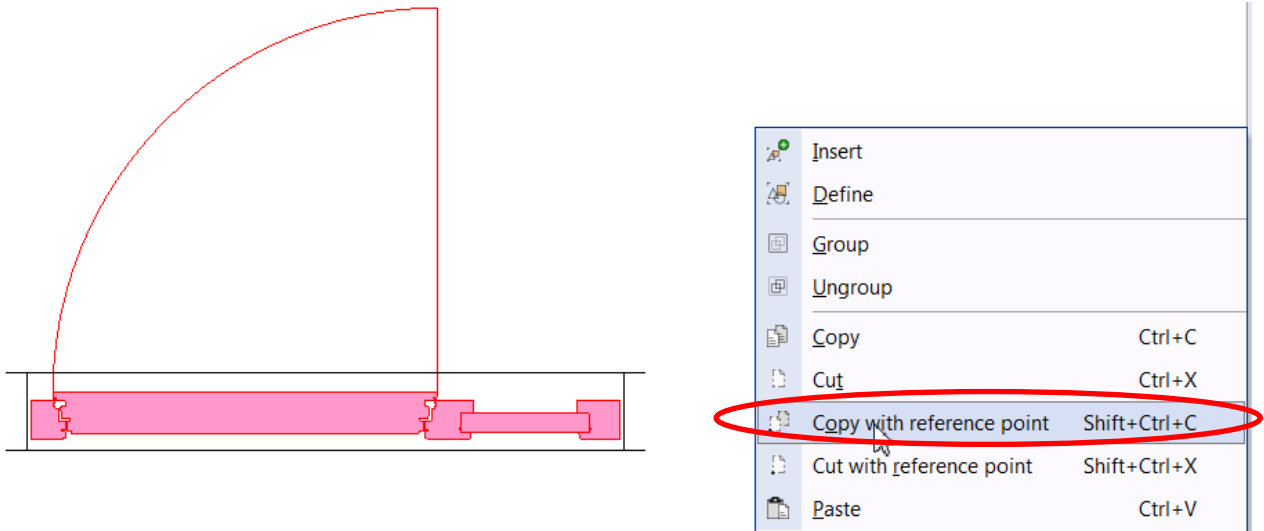
### 3.1.4 Anchor CAD Group 3

- Highlight CAD Group and select Others/2 anchor points
- Set anchor points as show on the picture

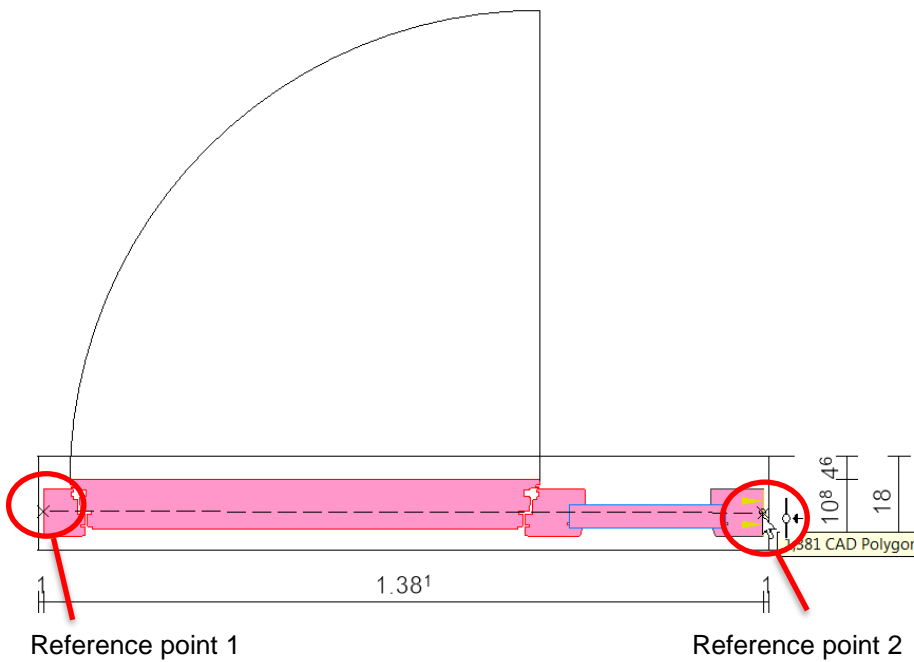


### 3.1.5 Macro can be tested by using the copy function

- Select Macro/Copy with reference point



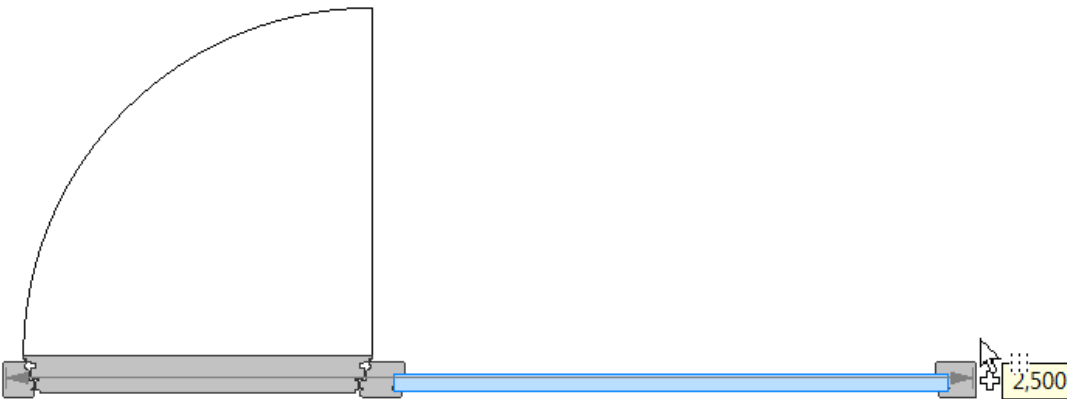
- By using the third instance select following reference points and confirm with OK





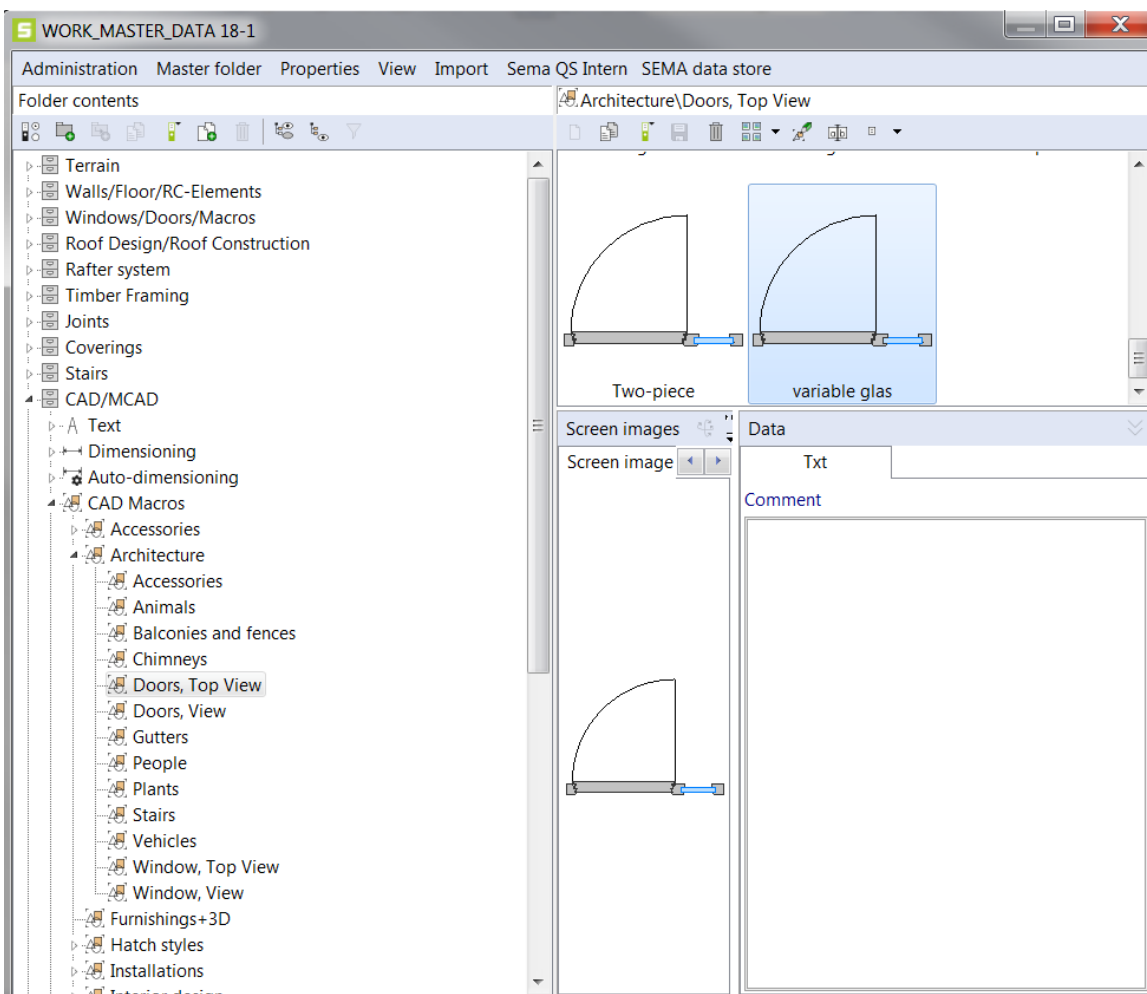
### 3.1.6 Check functionality

- Paste Macro over Macro/Paste (Ctrl+V) and check for functionality



### 3.1.7 Store Macro in Work Master Data

- Save Macro over Macro/Define
- Select the reference points as described in section 3.1.5 and confirm with OK

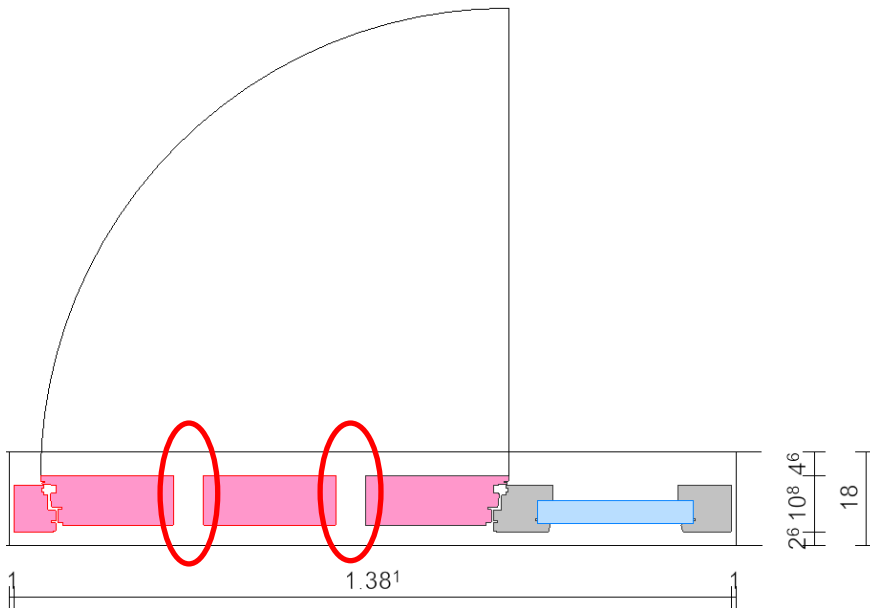


## 3.2. Example 2

- In this example, you have to set the anchor points so, that if you change the macro it changes the opening width, but the glass width stays constant
- Repeat Chapter 2

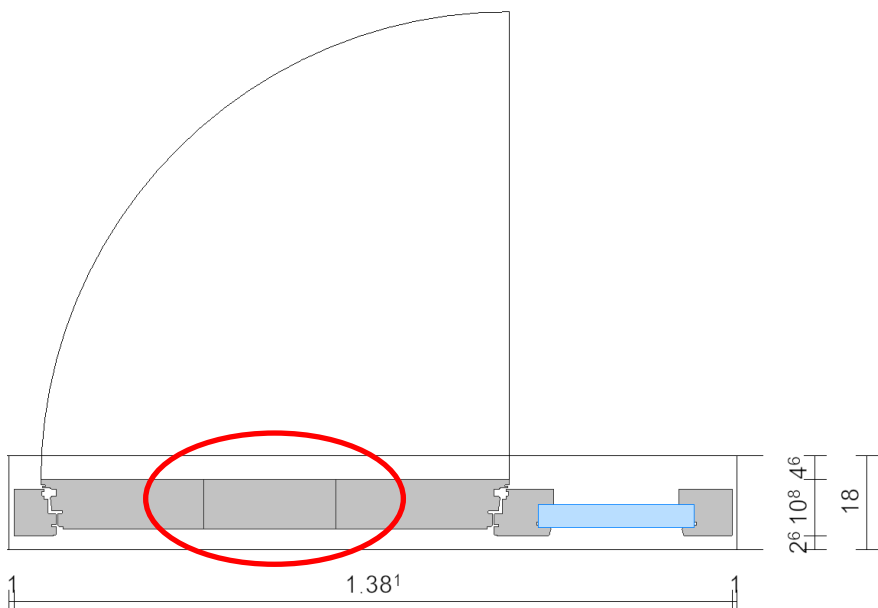
### 3.2.1 Seperate CAD Group

- CAD Group must be seperated to prevent a distortion of the profile heads
- Highlight Group and seperate it in 3 parts over the function Punch
- Ungroup CAD Group over Macro/Ungroup



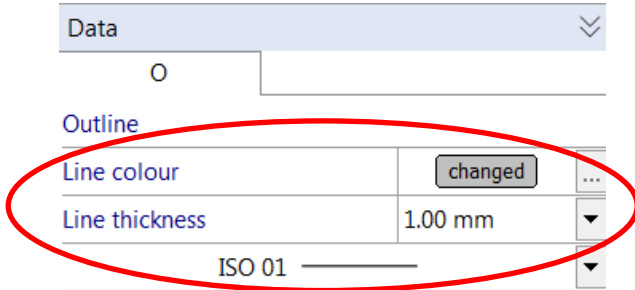
### 3.2.2 Attach middle part again

- Extend over Add, the outer parts to the midsection

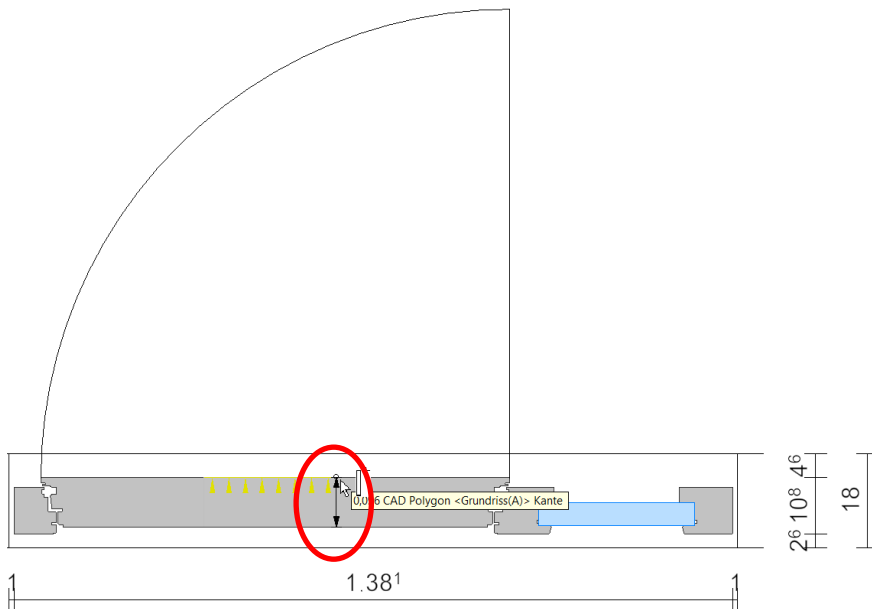


### 3.2.3 Draw coverage lines

- Coverage lines need to be drawn over the left and the right side of the middlepart to get an optimal representation
- Select following settings in CAD functions

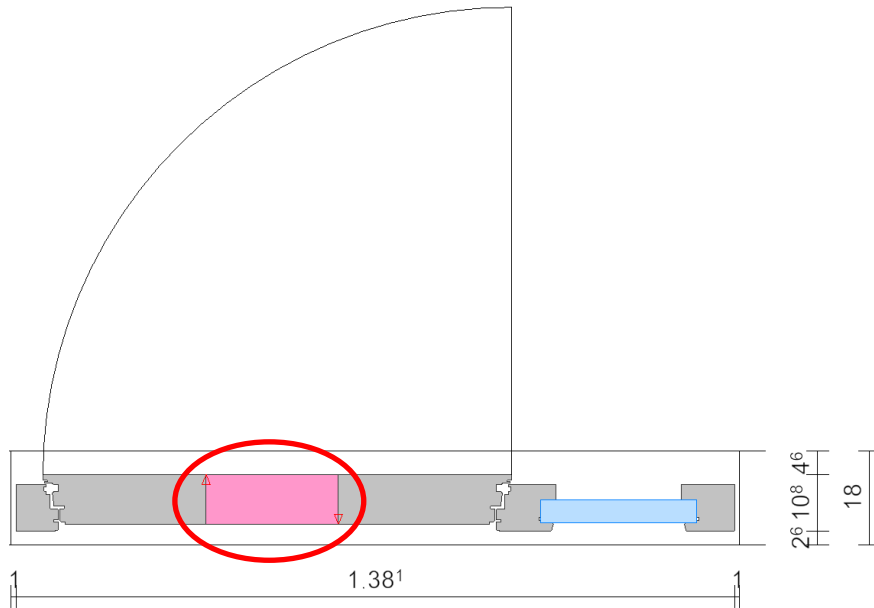


- Exaggerate CAD Polygon <Grundriss(A)> Edge

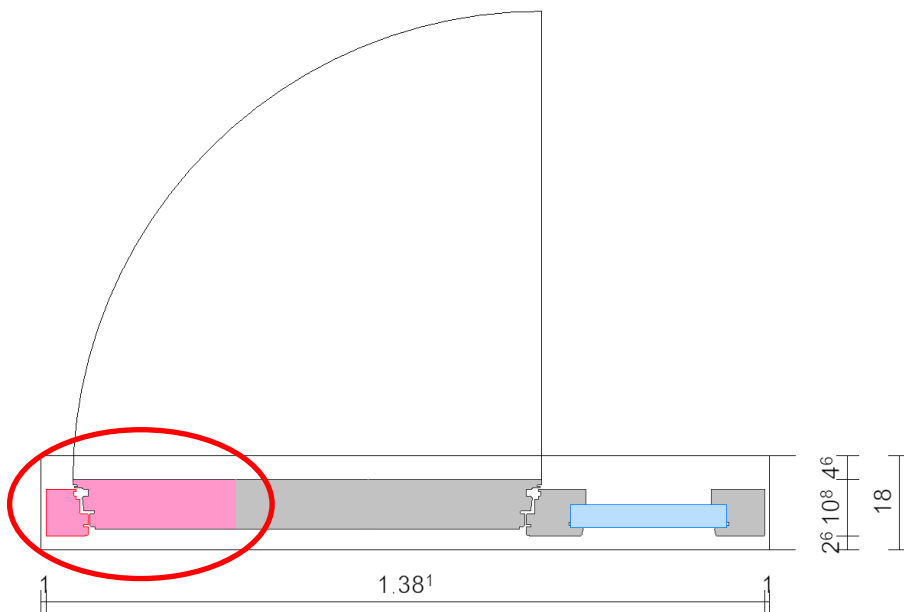


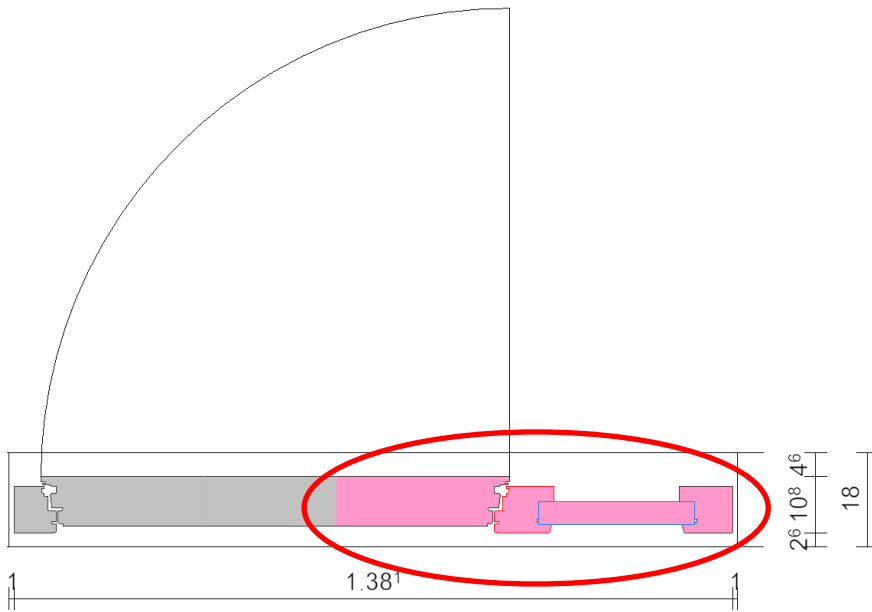
### 3.2.4 Group Macros

- Highlight CAD Lines and the middle CAD Polygon and group it



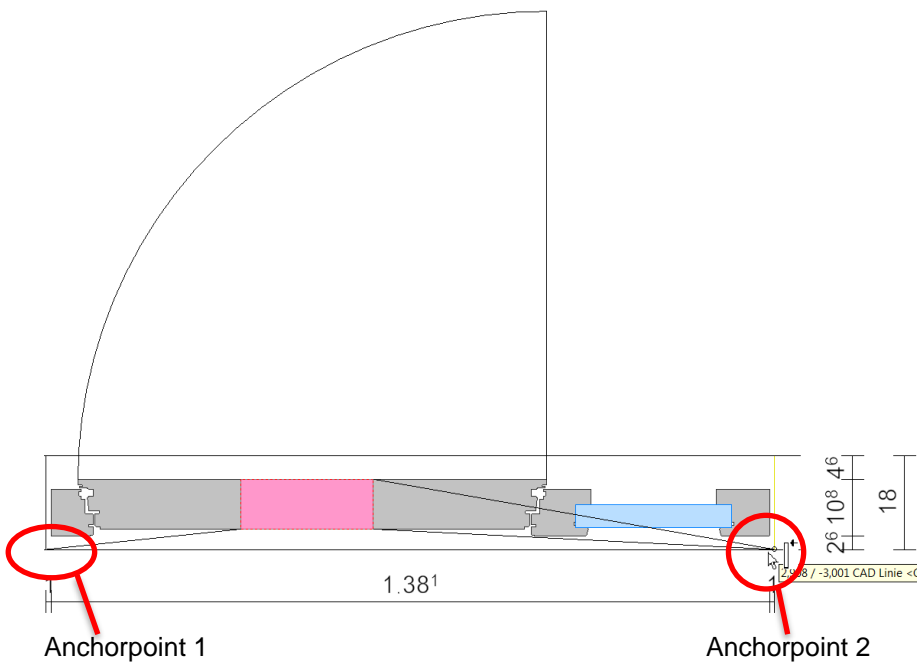
- Highlight CAD Elements and group it





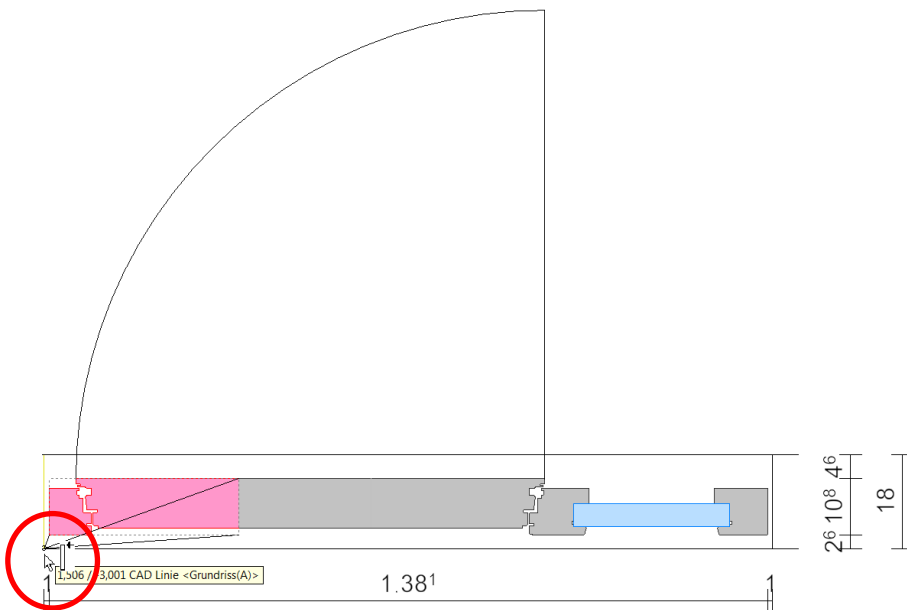
### 3.2.5 Anchor CAD Group 1

- Highlight CAD Group and select Others/2 anchor points
- Set anchor points as shown on the picture



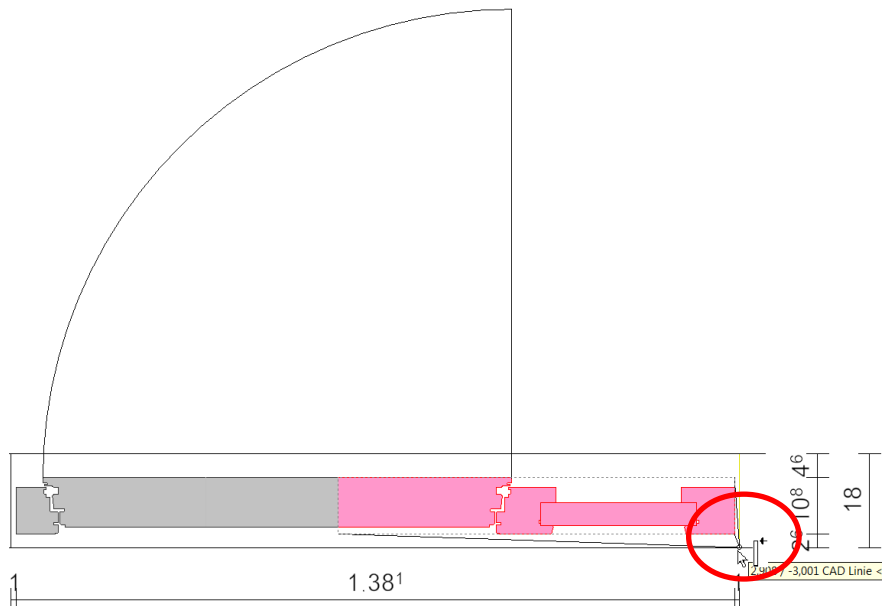
### 3.2.6 Anchor CAD Group 2

- Highlight CAD Group and select Others/1 anchor point
- Set anchor point as shown on the picture



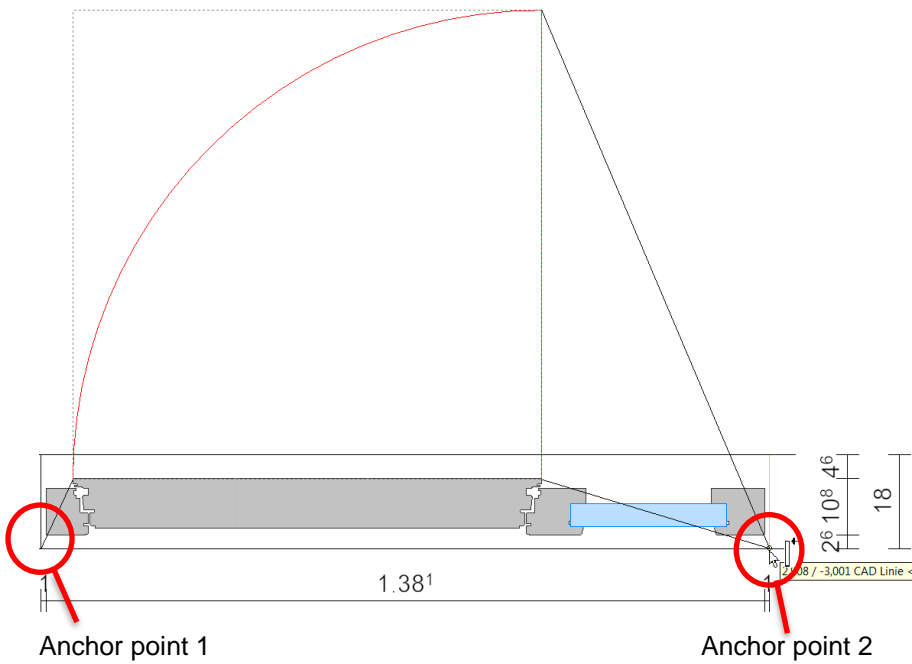
### 3.2.7 Anchor CAD Group 3

- Highlight CAD Group and select Others/1 anchor point
- Set anchor point as shown on the picture

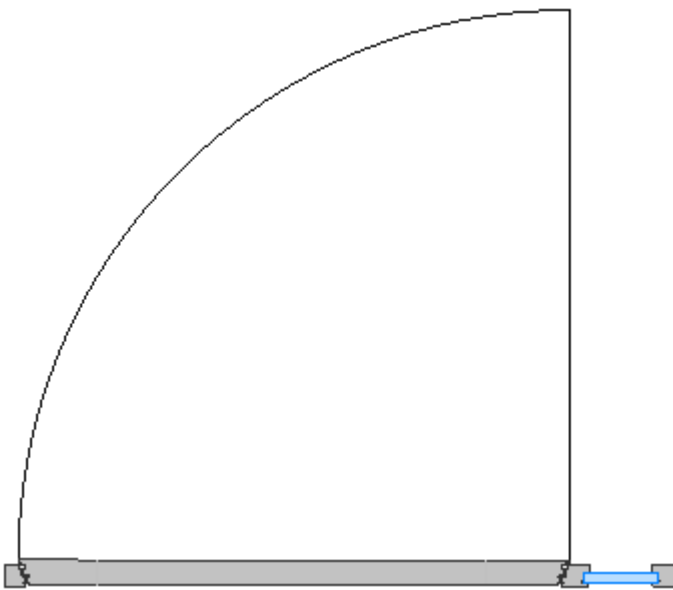


### 3.2.8 Anchor CAD Group 4

- Highlight CAD Group and select Others/2 anchor points
- Set anchor points as shown on the picture



- Check functionality
- Define as Macro and save in Work Master Data



- We recommend to practice anchoring at own examples, because multiple solutions are possible